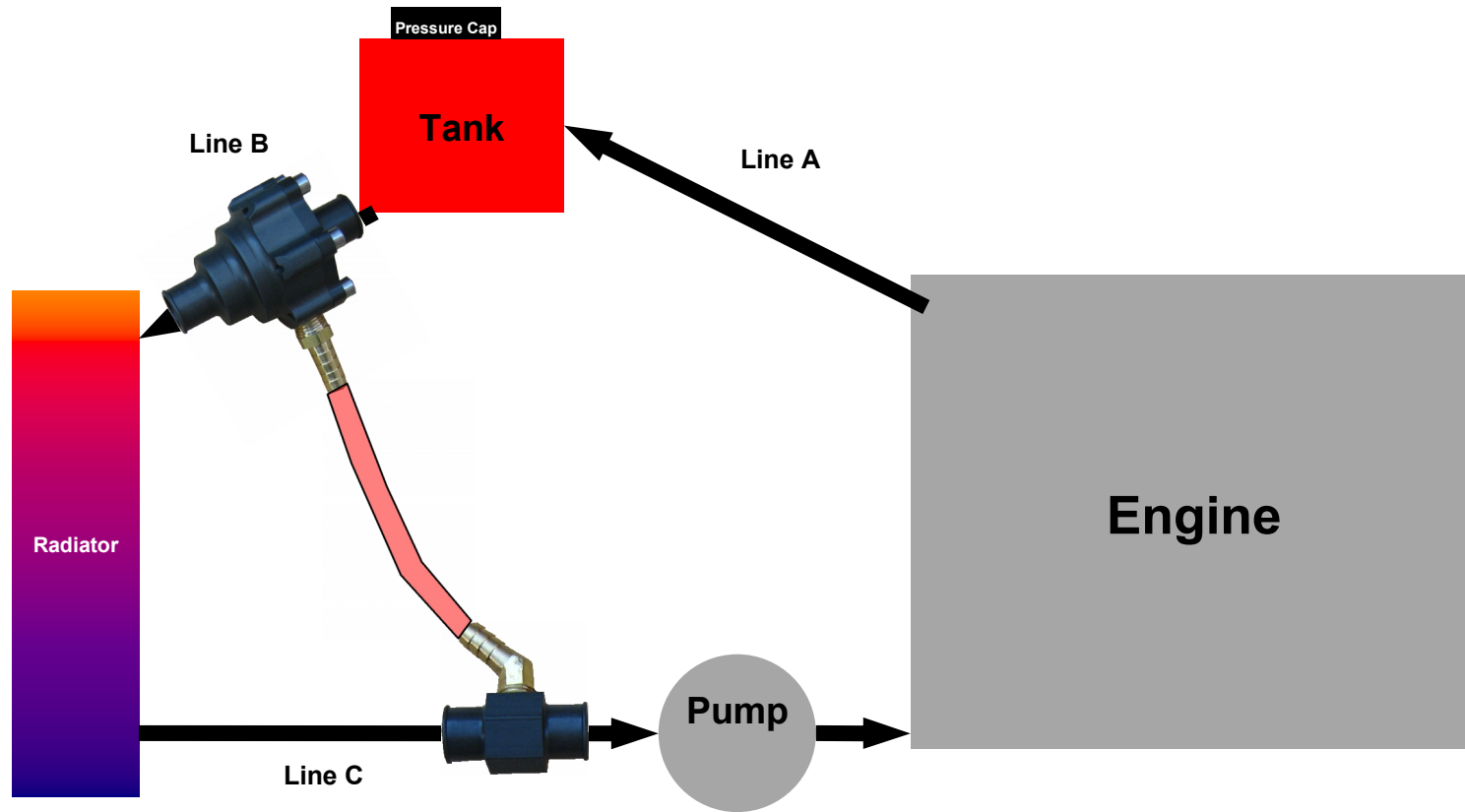


**In-Line Tank “Traditional” Installation Method:  
Thermo-Bob controls Tank Exit temperature at 180°F  
(which is the engine exit temp as well)**



***Note that hose bib on Thermo-Bob cap connects to tank exit, not radiator inlet***

## REPLACEMENT PARTS

**(Recommended replacement frequency: every 5 years or 40,000 miles, whichever comes first)**

The replacement thermostat is produced by STANT, and four different thermostats will fit. Due to the fact that Stant has two different ways to reference a particular part (the catalog usually uses the "box" number) these four thermostats can be referenced with eight different part numbers. The photos below clarify the Stant numbering scheme.

Unless special ordered, your Thermo-Bob was shipped with a STANT 59828 which is a 180°F "Superstat". Do not try to cross-reference the part number to a different brand, they typically will not fit properly.

At NAPA auto parts, the STANT 29828 is sold as part number 166, and the STANT 29829 is sold as part number 266.

If you are unable to find parts locally, replacement thermostats are available at [www.watt-man.com](http://www.watt-man.com).

If you have any comments or questions, contact me at [watt-man@cox.net](mailto:watt-man@cox.net).

